

スモールスクリューバイト

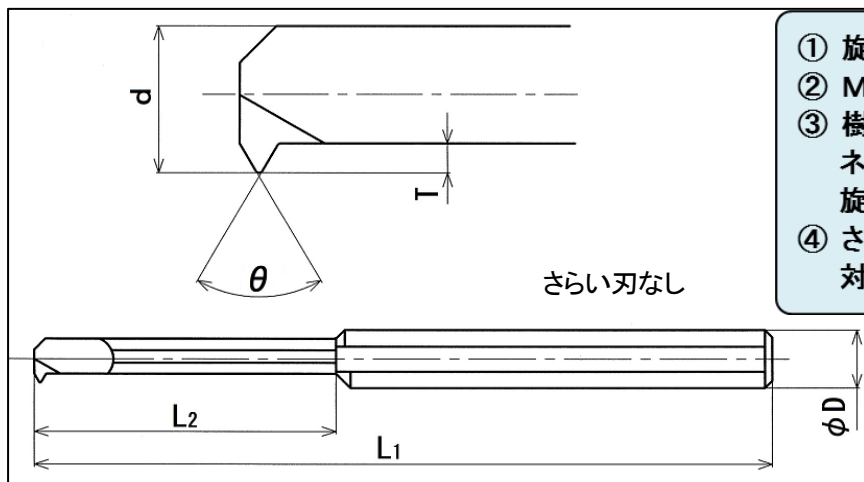
KSSCシリーズ(ネジ切り加工)

・ノンコーティング仕様、TiNコーティング、TiAlNコーティングがございます。

KPH

KPH+TiN

KPH+TiAlN



- ① 旋削用極小内径ネジ加工用バイト
- ② M1～M5の小径ネジ加工に最適
- ③ 樹脂はタップ加工すると加工後ネジ穴が収縮するため、バイトで旋削して精度・面粗さを向上できる
- ④ さらい刃が無いため中間サイズにも対応

参考(記載呼び以外は未対応)

| 型番 | 適用ネジ | | 寸法 (mm) | | | | | | | 材質 | 在庫 | ユニファイ | |
|---------------|--------|-------|---------|----|----|-----|-----|-----|------|-----|----|---------------------|--|
| | メートルネジ | | 最小穴径d | L2 | L1 | θ | T | φ D | すくい角 | | | 並目ネジ | 細目ネジ |
| | 呼び | ピッチ | | | | | | | | | | 呼び UNC | 呼び UNF |
| KSSC1 A60 L3 | M1 | P0.25 | 0.68 | 3 | 50 | 60° | 0.2 | 3 | 10° | KPH | ◎ | | No.0-80 No.1-72 |
| | | P0.2 | | | | | | | | | | | |
| | M1.1 | P0.25 | | | | | | | | | | | |
| | | P0.2 | | | | | | | | | | | |
| | M1.2 | P0.25 | | | | | | | | | | | |
| | | P0.2 | | | | | | | | | | | |
| | M1.4 | P0.3 | | | | | | | | | | | |
| P0.2 | | | | | | | | | | | | | |
| M1.6 | P0.35 | | | | | | | | | | | | |
| | P0.2 | | | | | | | | | | | | |
| M1.8 | P0.35 | | | | | | | | | | | | |
| | P0.2 | | | | | | | | | | | | |
| KSSC2 A60 L6 | M2 | P0.4 | 1.47 | 6 | 50 | 60° | 0.3 | 3 | 10° | KPH | ◎ | No.2-56 No.3-48 | No.2-64 No.3-56 No.4-48 |
| | | P0.25 | | | | | | | | | | | |
| | M2.2 | P0.45 | | | | | | | | | | | |
| P0.25 | | | | | | | | | | | | | |
| M2.5 | P0.45 | | | | | | | | | | | | |
| | P0.35 | | | | | | | | | | | | |
| KSSC3 A60 L9 | M3 | P0.5 | 2.31 | 9 | 50 | 60° | 0.4 | 3 | 10° | KPH | ◎ | No.5-40 | No.5-44 No.6-40 |
| | | P0.35 | | | | | | | | | | | |
| | M3.5 | P0.6 | | | | | | | | | | | |
| P0.35 | | | | | | | | | | | | | |
| KSSC4 A60 L12 | M4 | P0.7 | 3.02 | 12 | 50 | 60° | 0.6 | 4 | 10° | KPH | ◎ | No.8-32 No.10-24 | No.8-36 No.10-32 |
| | | P0.5 | | | | | | | | | | | |
| | M4.5 | P0.75 | | | | | | | | | | | |
| P0.5 | | | | | | | | | | | | | |
| KSSC5 A60 L15 | M5 | P0.8 | 3.92 | 15 | 50 | 60° | 0.7 | 4 | 10° | KPH | ◎ | No.12-24 1/4-20 | No.12-28 1/4-28 5/16-24 3/8-24 7/16-20 1/2-20 |
| | | P0.5 | | | | | | | | | | | |
| | M5.5 | P0.5 | | | | | | | | | | | |
| | | P1 | | | | | | | | | | | |
| M6 | P1 | | | | | | | | | | | | |
| | P0.75 | | | | | | | | | | | | |

◎印: 高周波・大阪センター在庫